

Temperature Sensor MTH310 Specifications

Ver 2.0.0 2014-6-6

1 Functions



MTH is a waterproof temperature Sensor, it has the following characteristics:

- 1) Monitor the ambient temperature to achieve showing ambient temperature on LED display;
- 2) Waterproof IP65;
- 3) Can be connected to Function Card MFN300;
- 4) 5-meter standard cable, can be extended to 100 meters;
- 5) No external power supply required;

2 Dimensions

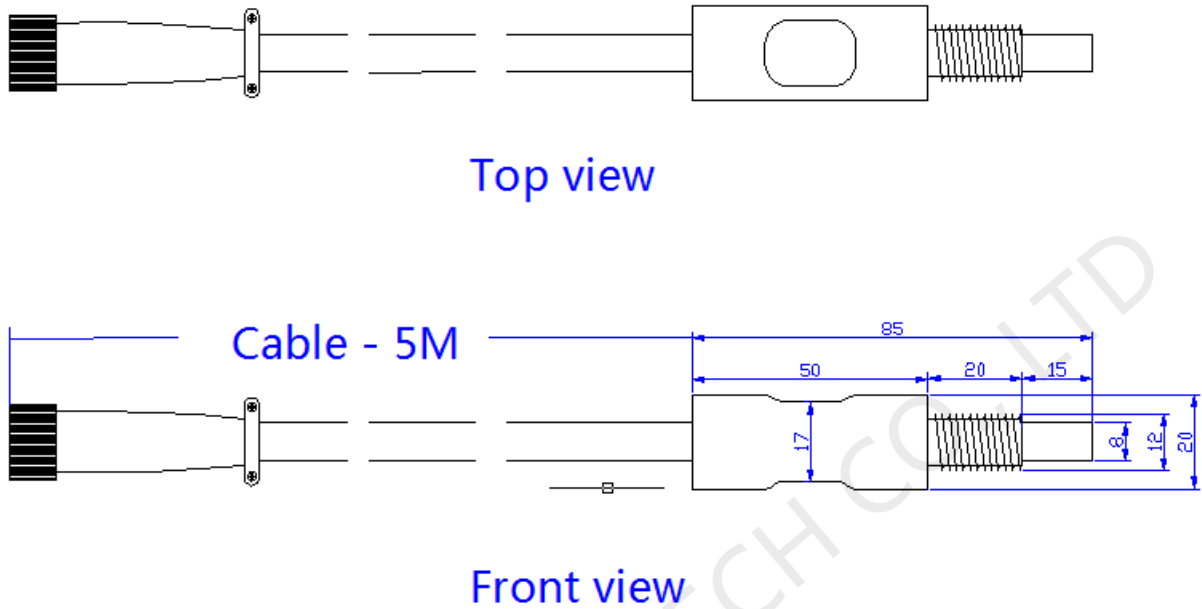


Fig. 1 MTH300 Dimensions(unit: mm)

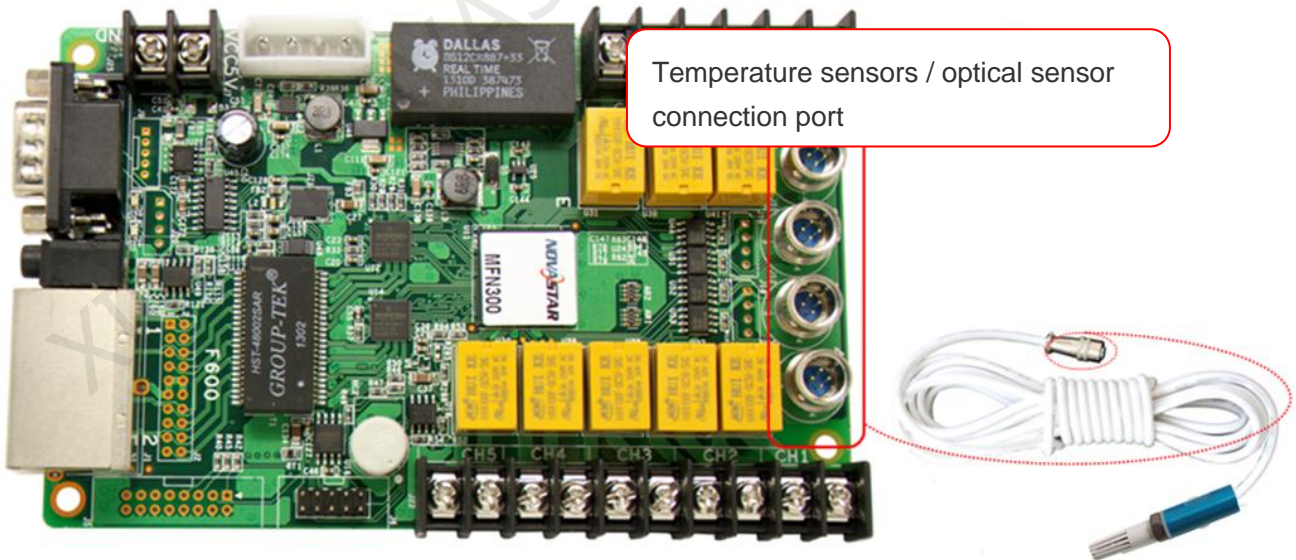


Fig. 2 MTH310 connection to multi-function (MFN300)card

3 Working conditions

Rated voltage	5V
Operation temperature	-20°C—75°C
Operation humidity	0—99%

XI'AN NOVASTAR TECH CO., LTD